

## BUS TIMETABLE TAMPERE - HELSINKI AIRPORT 1.1. - 9.4.2012

	(2 Fri, Sat	(2/4 Mon-Thu, Sun	(4 Mon-Sun	Mon-Sun	(19 Mon-Fri	Sat, Sun	Mon-Sun 5:05Mon-Fri(9)	Mon-Sun	Mon-Sun	Mon-Sun	Mon-Sun 8:15(16)	Fri, Sat, Sun 8:10Mon-Fri(9)	Mon-Sun	Mon-Sun	Mon-Sun	Mon-Sun 11:30	Mon-Sun	Mon-Sun	Mon-Sun	Mon-Sun	Mon-Sun	Mon-Sun	Mon-Sun	(14 Mon-Fri	Mon-Sun 16:40(7)	*** Mon-Sun	Mon-Sun	(1 Sat		
NOKIA, bus station																														
TAMPERE, bus station platform 5	1.00	1.45	3.10	4.20	5.00	5.00	5.45	6.30	7.30	7.50	9.00	9.15	10.00	11.00	11.25	12.00	12.15	12.50	13.15	14.00	14.30	15.00	15.15	16.00	16.45	17.15	18.30	20.00	22.40	
VALKEAKOSKI, bus station platform 1	1.30	2.15	3.40	4.50	5.30	5.30	6.15	7.00		8.20	9.30		10.30	11.30		12.30		13.20		14.30		15.30		16.35		17.35(6)	19.05	20.30		
LEMPÄÄLÄ MT34									7.45	8.15(16)		9.30			11.40		12.30		13.30		14.45		15.30		16.27(16)	17.00	17.32		22.55	
TOIJALA MT31									7.55	8.25(16)		9.40			11.50		12.40		13.40		14.55		15.40		16.37(16)	17.10	17.42		23.05	
JITTALA MT28	1.45	2.30	3.55	5.05	5.45	5.45	6.30	7.15	8.05	8.35	9.45	9.45	10.45	11.45	12.00	12.45	12.50	13.35	13.50	14.45	15.05	15.45	15.45	16.50	16.37(16)	17.20	17.55	19.20	20.45	23.15
HÄMEENLINNA, bus station platform 3	2.10	2.50	4.15	5.30	6.10	6.10	6.55	7.45	x(15)	9.05	10.15	10.15	11.15	12.15	12.25	13.10	13.10	14.00	14.15	15.15	15.30	16.15	16.15	17.15	17.45	18.20	19.50	21.10	23.40	
TERVAKOSKI MT21	2.25	3.05	4.30	5.45	6.25	6.25	7.10	8.00	8.35	9.20	10.30	10.30	11.30	12.30	12.40	13.25	13.25	14.15	14.30	15.30	15.45	16.30	16.30	17.30	18.00	18.35	20.05	21.25	23.55	
RIIHIMÄKI, travel center platform 2					6.40				8.15			10.45			12.45			14.30		15.45				17.50			20.20			
RIIHIMÄKI MT19	2.32	3.12	4.37	5.52	6.30	6.30	7.15	8.00	8.42	9.25	10.35	10.35	11.35	12.35	12.45	13.32	13.32	14.37	14.37	15.52	16.35	16.35	17.35	18.07	18.40	19.50	21.30	22.00	00.00	
HYVINKÄÄ MT16	2.40	3.20	4.45	6.00	6.50	6.40	7.25	8.20	8.50	9.35	10.58	10.45	11.45	12.55	12.55	13.40	13.40	14.45	14.45	15.58	16.45	16.45	18.03	18.15	18.50	20.30	21.40	00.10		
KEIMOLANPORTTI MT	3.00	3.40	5.05	6.20	7.15	7.00	7.50	8.45	9.10	9.55	11.20	11.10	12.05	13.15	13.15	14.05	14.05	15.05	15.05	16.20	16.20	17.10	17.10	18.25	18.35	19.15	20.50	21.55	00.30	
KEHÄ III TUUPAKKA	3.03	3.43	5.08	6.23	7.20	7.05	7.55	8.50	9.15	10.00	11.25	11.15	12.10	13.20	13.20	14.10	14.10	15.15	15.15	16.30	16.30	17.15	17.15	18.30	18.40	19.20	21.00	22.00		
RANTASIPI AIRPORT TH	3.10	3.50	5.15	6.30	7.30	7.10	8.00	8.55	9.20	10.05	11.30	11.20	12.15	13.25	13.25	14.15	14.15	15.20	15.20	16.35	16.35	17.20	17.20	18.35	18.45	19.25	21.10	22.05		
HELSENKI AIRPORT	3.20	4.05	5.30	6.40	7.35	7.20	8.10	9.05	9.30	10.15	11.40	11.25	12.25	13.35	13.35	14.25	14.25	15.30	15.30	16.45	16.45	17.30	17.30	18.45	18.55	19.35	21.15	22.15	01.30	

	Mon-Sun	Mon-Sun	Sun (14)	Mon-Sun (2)	Mon-Sat (1 (11***))	Sun	Sat ***	Mon-Fri (1 (11))	Mon-Sun	Mon-Sun	Mon-Sun	Mon-Sun	Mon-Sun	Mon-Sun	Mon-Sun	Mon-Sun (3)	Mon-Sun	Fri, Sat, Sun (20)	Mon-Sun	Mon-Sun	Mon-Sun	Mon-Sun	Mon-Sun	Mon-Sun	Mon-Sun	Mon-Sun	Mon-Sun
HELSENKI AIRPORT TERMINAL T2	0.15	1.30+	2.45	3.45+	5.35	5.45+	6.10	6.40	8.15	9.15	10.20	11.15	12.15	13.20	14.15	15.20	16.30	16.35	17.35	18.05	18.50	19.50	21.10	22.10	23.10	0.15	
HELSENKI AIRPORT TERMINAL T1	0.05	1.20	2.35	3.35	5.36	5.46	6.11	6.35	8.10	9.16	10.21	11.16	12.16	13.21	14.16	15.21	16.31	16.36	17.36	18.06	18.51	19.51	21.03	22.03	23.03	0.05	
RANTASIPI AIRPORT TH	0.17	1.32+	2.47	3.47+		5.47+	6.13		8.17	9.18	10.23	11.18	12.18	13.23	14.18	15.23	16.33	16.38	17.38	18.08	18.53	19.53	21.12	22.12	23.12	0.17	
KEHÄ III TUUPAKKA	0.23	1.38+	2.50	3.50+		5.53+	6.20		8.25	9.25	10.30	11.25	12.25	13.30	14.25	15.30	16.40	16.45	17.45	18.15	19.00	20.00	21.18	22.18	23.18	0.23	
KEIMOLANPORTTI MT	0.25	1.40+	2.55	3.55+	6.25	5.55+	6.25	7.35	8.30	9.30	10.35	11.30	12.30	13.35	14.30	15.35	16.45	16.50	17.50	18.20	19.05	20.05	21.20	22.20	23.20	0.25	
HYVINKÄÄ MT16	0.40	2.00+	3.15	4.15+	6.45	6.15+	6.45	7.55	8.50	9.50	10.55	11.50	12.50	13.50	14.50	15.55	17.05	17.10	18.10	18.40	19.25	20.25	21.35	22.35	23.35	0.40	
RIIHIMÄKI MT19	0.45	2.05+	3.22	4.22+		6.20+			9.55		11.55		13.55		16.00		17.15		18.45	19.30	20.30	21.40	22.40	23.40	0.45		
RIIHIMÄKI, travel center platform 3					7.00(17)		7.00(17)	8.15	9.10		11.10		13.10		15.10		17.30		18.25								
TERVAKOSKI MT21	0.55	2.15+	3.28	4.28+	7.10	6.30+	7.10	8.25	9.20	10.05	11.20	12.05	13.20	14.10	15.20	16.10	17.40	17.30	18.40	19.00	19.45	20.45	21.55	22.50	23.50	0.55	
HÄMEENLINNA bus station platform 5	1.20	2.35+	3.55	4.55+	7.35	6.55+	7.35	8.45	9.35	10.30	11.45	12.30	13.40	14.30	15.45	16.40	18.05	17.50	19.00	19.20	20.05	21.05	22.25	23.15	00.15	1.20	
JITTALA MT28	1.35	2.50+	4.10	5.10+	7.50	7.15+	7.50	9.00	9.55	10.45	12.00	12.45	13.55	14.45	16.00	16.55	18.20	18.05	19.15	19.35	20.20	21.20	22.40	23.30	00.30	1.35	
TOIJALA MT31									10.06									18.16	19.26								
LEMPÄÄLÄ MT34									10.14									18.24	19.34								
VALKEAKOSKI, bus station platform 3	1.55	3.15+	4.35	5.30+	8.15**	7.30+	8.15	9.25	10.20(16)	11.10	12.25	13.10	14.20	15.10	16.25	17.20	18.45			20.00	20.45(13)	21.50	23.00	23.50	00.50	1.55	
TAMPERE, bus station	2.25	3.45+	5.05	6.00+	8.50	8.00+	8.50	9.55	10.40	11.40	12.55	13.40	15.00	15.45	17.00	17.50	19.20	18.50	20.00	20.35	21.00	22.25	23.30	00.25	01.25	2.25	
TAMPERE, central square		T		T					10.43						15.48												
NOKIA, bus station									11.15					16.30													

Alterations in the timetable may occur on public holidays.

- Mon= Mondays    Tue = Tuesdays    Wed = Wednesdays    Thu = Thursdays
- Fri = Fridays    Sat = Saturdays    Sun = Sundays
- | = bus passes without stopping
- = shuttle bus to airport (change of buses)
- ( ) = shuttle bus to/from airport (change of buses at Keimolanportti bus stop)
- T = stops only to discharge passengers
- MT = motorway bus stop
- th = road junction
- (1 = via Helsinki bus station, change of buses at Helsinki bus station
- (2 = check timetable since the 10th of April 2012
- (4 = 25.3.2012 departure from Tampere 1 hour earlier as according to the summertime
- (5 = change of buses at Helsinki bus station
- (6 = change of buses at Hämeenlinna bus station
- (7 = change of buses at Tampere bus station Mon-Fri
- (9 = from Nokia Mon-Fri, no connection 6.1., 6.4. and 9.4.2012
- (11 = timetable as 5:45Sun from Helsinki airport 6.1., 6.4. and 9.4.2012
- (13 = Thu-Sun change of buses at Hämeenlinna bus station for passengers to Valkeakoski
- (14 = no service 6.1., 6.4. and 9.4.2012
- (15 = in Hämeenlinna stops only at Eureninkatu bus stop 8:20
- (16 = connection from Toijala MT and Lempäälä MT on Mon-Fri, change of buses at Hämeenlinna bus station. No connection 6.1., 6.4. and 9.4.2012
- (17 = route in Riihimäki: via bus stops in Riihimäki city center (Mattila, Sako and hospital bus stops) but doesn't stop at the Riihimäki travel center
- (19 = 6.1., 6.4. and 9.4.2012 timetable as 5:00Sat, Sun from Tampere
- (20 = no service 6.1., 6.4. and 8.4.2012
- (22 = 6.1. and 6.4. timetable as 1:00Fri from Tampere only to Helsinki airport. 9.4. service only to Helsinki airport

FARES <small>All rights reserved</small>	ADULTS		CHILDREN 4-11 yrs	
	one way	return	one way	return
to/from airport				
TAMPERE / NOKIA	26,30	47,40	13,20	26,40
VALKEAKOSKI	25,80	46,40	12,90	25,80
HÄMEENLINNA	16,50	32,80	8,30	16,60
RIIHIMÄKI	13,00	26,00	6,50	13,00

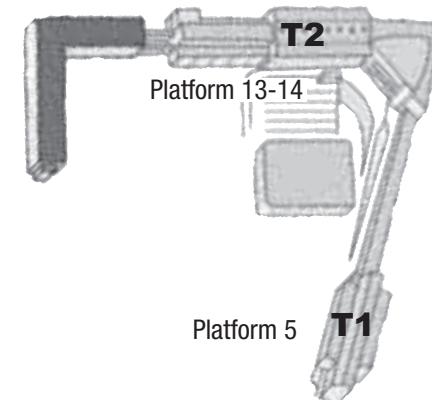
Discount price for senior citizens (65+) and youth (12-16 yrs).  
Major credit cards (Visa, Eurocard, Mastercard, Amex and Diners) are also accepted.



# PAUNU

Pre-booking possibility for following departures:  
from Tampere 1:00, 1:45, 3:10, 4:20 and 5:00 Sat, Sun  
from airport 1:30, 3:45 and 5:45  
Phone +358 207 649 400 (Mon-Fri 8:30–16:00)  
E-mail [matkapalvelu@paunu.fi](mailto:matkapalvelu@paunu.fi)

## HELSENKI AIRPORT



### T2

- check in 240-271**  
Air Berlin  
Air Finland  
Czech Airlines CSA  
Icelandair  
KLM  
Malev  
Norwegian  
Nouvelair Tunis  
Rossiya Airline  
SunExpress  
Thomas Cook Airlines  
TUIfly Nordic  
Turkish Airlines  
Ukraine International Airlines

### T2

- check in 201-232**  
Aeroflot Russian Airlines  
British Airways  
Finnair  
Finncomm Airlines  
Flybe

### T1

- check in 101-114**  
Air Baltic  
Austrian Airlines  
Blue1  
Brussels Airlines  
City Airlines  
LOT  
Lufthansa  
SAS  
Spanair  
Swiss International Air Lines  
TAP Portugal