

## BUS TIMETABLE TAMPERE - HELSINKI AIRPORT 31.10. - 24.12. and 26.12. - 31.12.2011

	(2 Sat	since 16.12. Fri (2	until 9.12. Fri	(2 Mon-Thu	Mon-Sun	Mon-Sun	(19 Mon-Fri	Sat, Sun	Mon-Sun	Mon-Sun	Mon-Sun	Mon-Sun	Mon-Sun	Mon-Sun	Mon-Sun	Mon-Sun	Mon-Sun	Mon-Sun	Mon-Sun	Mon-Sun	(4 Mon-Sun	(4 Mon-Sun	(4 Mon-Sun	(23 Mon-Fri	(4 Mon-Sun	*** Mon-Sun	(4 Mon-Sun	(1 24 Sat				
NOKIA, bus station																																
TAMPERE, bus station platform 5	1.00	1.00	1.45	1.45	3.10	4.20	5.00	5.00	5.45	6.30	7.30	7.50	9.00	9.15	10.00	11.00	11.25	12.00	12.15	12.50	13.15	14.00	14.30	15.00	15.15	16.00	16.45	17.15	18.30	20.00	22.40	
VALKEAKOSKI, bus station platform 1	1.30	1.30	2.15	2.15	3.40	4.50	5.30	5.30	6.15	7.00		8.20	9.30		10.30	11.30		12.30		13.20		14.30		15.30		16.35		17.35	19.05	20.30		
LEMPÄÄLÄ MT34												7.45	8.15(16)		9.30			11.40		12.30		13.30		14.45		15.30	16.27(16)	17.00	17.32		22.55	
TOIJALA MT31												7.55	8.25(16)		9.40			11.50		12.40		13.40		14.55		15.40	16.37(16)	17.10	17.42		23.05	
IIITALA MT28	1.45	1.45	2.30	2.30	3.55	5.05	5.45	5.45	6.30	7.15	8.05	8.35	9.45	9.45	10.45	11.45	12.00	12.45	12.50	13.35	13.50	14.45	15.05	15.45	15.45	16.50	16.50	17.20	17.55	19.20	20.45	23.15
HÄMEENLINNA, bus station platform 3	2.10	2.10	2.50	2.50	4.15	5.30	6.10	6.10	6.55	7.45	x(15)	9.05	10.15	10.15	11.15	12.15	12.25	13.10	13.10	14.00	14.15	15.15	15.30	16.15	16.15	17.15	17.45	18.20	19.50	21.10	23.40	
TERVAKOSKI MT21	2.25	2.25	3.05	3.05	4.30	5.45	6.25	6.25	7.10	8.00	8.35	9.20	10.30	10.30	11.30	12.30	12.40	13.25	13.25	14.15	14.30	15.30	15.45	16.30	16.30	17.30	18.00	18.35	20.05	21.25	23.55	
RIIHIMÄKI, travel center platform 2													8.15		9.15			10.45		11.45		12.45		13.45		14.30		15.45		17.50		20.20
RIIHIMÄKI MT19	2.32	2.32	3.12	3.12	4.37	5.52	6.30	6.30	7.15		8.42	9.25		10.35	11.35		12.45	13.32	13.32		14.37		15.52	16.35	16.35		18.07	18.40		21.30	00.00	
HYVINKÄÄ MT16	2.40	2.40	3.20	3.20	4.45	6.00	6.50	6.40	7.25	8.20	8.50	9.35	10.58	10.45	11.45	12.55	12.55	13.40	13.40	14.45	14.45	15.58	15.58	16.45	16.45	18.03	18.15	18.50	20.30	21.40	00.10	
KEIMOLANPORTTI MT	3.00	3.00	3.40	3.40	5.05	6.20	7.15	7.00	7.50	8.45	9.10	9.55	11.20	11.10	12.05	13.15	13.15	14.05	14.05	15.05	15.05	16.20	16.20	17.10	17.10	18.25	18.35	19.15	20.50	21.55	00.30	
KEHÄ III TUUPAKKA	3.03	3.03	3.43	3.43	5.08	6.23	7.20	7.05	7.55	8.50	9.15	10.00	11.25	11.15	12.10	13.20	13.20	14.10	14.10	15.15	15.15	16.30	16.30	17.15	17.15	18.30	18.40	19.20	21.00	22.00		
RANTASIPI AIRPORT TH	3.10	3.10	3.50	3.50	5.15	6.30	7.30	7.10	8.00	8.55	9.20	10.05	11.30	11.20	12.15	13.25	13.25	14.15	14.15	15.20	15.20	16.35	16.35	17.20	17.20	18.35	18.45	19.25	21.10	22.05		
HELSINKI AIRPORT	▼ 3.20	3.20	4.05	4.05	5.30	6.40	7.35	7.20	8.10	9.05	9.30	10.15	11.40	11.25	12.25	13.35	13.35	14.25	14.25	15.30	15.30	16.45	16.45	17.30	17.30	18.45	18.55	19.35	21.15	22.15	01.30	

	Mon-Sun	Mon-Sun	Sun (14	Mon-Sun (2	Mon-Sat (1 11***	Sun	Sat (11***	Mon-Fri (121	Mon-Sun	Mon-Sun	Mon-Sun	Mon-Sun	Mon-Sun	Mon-Sun	Mon-Sun (3	Mon-Sun	Fri,Sat,Sun (20	Mon-Sun	Mon-Sun (4	Mon-Sun	Mon-Sun	Mon-Sun	Mon-Sun	Mon-Sun (4	Mon-Sun	Mon-Sun					
HELSINKI AIRPORT TERMINAL T2	0.15	1.30+	2.45	3.45+	5.35	5.45+	6.10	6.40	8.15	9.15	10.20	11.15	12.15	13.20	14.15	15.20	16.30	16.35	17.35	18.05	18.50	19.50	21.10	22.10	23.10	0.15					
HELSINKI AIRPORT TERMINAL T1	0.05	1.20	2.35	3.35	5.36	5.46	6.11	6.35	8.10	9.16	10.21	11.16	12.16	13.21	14.16	15.21	16.31	16.36	17.36	18.06	18.51	19.51	21.03	22.03	23.03	0.05					
RANTASIPI AIRPORT TH	0.17	1.32+	2.47	3.47+		5.47+	6.13		8.17	9.18	10.23	11.18	12.18	13.23	14.18	15.23	16.33	16.38	17.38	18.08	18.53	19.53	21.12	22.12	23.12	0.17					
KEHÄ III TUUPAKKA	0.23	1.38+	2.50	3.50+		5.53+	6.20		8.25	9.25	10.30	11.25	12.25	13.30	14.25	15.30	16.40	16.45	17.45	18.15	19.00	20.00	21.18	22.18	23.18	0.23					
KEIMOLANPORTTI MT	0.25	1.40+	2.55	3.55+	6.25	5.55+	6.25	7.35	8.30	9.30	10.35	11.30	12.30	13.35	14.30	15.35	16.45	16.50	17.50	18.20	19.05	20.05	21.20	22.20	23.20	0.25					
HYVINKÄÄ MT16	0.40	2.00+	3.15	4.15+	6.45	6.15+	6.45	7.55	8.50	9.50	10.55	11.50	12.50	13.50	14.50	15.55	17.05	17.10	18.10	18.40	19.25	20.25	21.35	22.35	23.35	0.40					
RIIHIMÄKI MT19	0.45	2.05+	3.22	4.22+		6.20+			9.55			11.55		13.55		16.00		17.15		18.45	19.30	20.30	21.40	22.40	23.40	0.45					
RIIHIMÄKI, travel center platform 3					7.00(17		7.00(17	8.15	9.10		11.10		13.10		15.10		17.30		18.25												
TERVAKOSKI MT21	0.55	2.15+	3.28	4.28+	7.10	6.30+	7.10	8.25	9.20	10.05	11.20	12.05	13.20	14.10	15.20	16.10	17.40	17.30	18.40	19.00	19.45	20.45	21.55	22.50	23.50	0.55					
HÄMEENLINNA bus station platform 5	1.20	2.35+	3.55	4.55+	7.35	6.55+	7.35	8.45	9.35	10.30	11.45	12.30	13.40	14.30	15.45	16.40	18.05	17.50	19.00	19.20	20.05	21.05	22.25	23.15	00.15	1.20					
IIITALA MT28	1.35	2.50+	4.10	5.10+	7.50	7.15+	7.50	9.00	9.55	10.45	12.00	12.45	13.55	14.45	16.00	16.55	18.20	18.05	19.15	19.35	20.20	21.20	22.40	23.30	00.30	1.35					
TOIJALA MT31																															
LEMPÄÄLÄ MT34																															
VALKEAKOSKI, bus station platform 3	1.55	3.15+	4.35	5.30+	8.15**	7.30+	8.15	9.25	10.20(16	11.10	12.25	13.10	14.20	15.10	16.25	17.20	18.45			20.00	20.45(13	21.50	23.00	23.50	00.50	1.55					
TAMPERE, bus station	2.25	3.45+	5.05	6.00+	8.50	8.00+	8.50	9.55	10.40	11.40	12.55	13.40	15.00	15.45	17.00	17.50	19.20	18.50	20.00	20.35	21.00	22.25	23.30	00.25	01.25	2.25					
TAMPERE, central square		T		T																											
NOKIA, bus station	▼																														

Alterations in the timetable may occur on public holidays.

Timetable for the Christmas Day 25.12.2011 on the next page.

- Mon= Mondays    Tue = Tuesdays    Wed = Wednesdays    Thu = Thursdays
- Fri = Fridays    Sat = Saturdays    Sun = Sundays
- | = bus passes without stopping
- = shuttle bus to airport (change of buses)
- ( ) = shuttle bus to/from airport (change of buses at Keimolanportti bus stop)
- T = stops only to discharge passengers
- MT = motorway bus stop
- th = road junction
- (1 = via Helsinki bus station, change of buses at Helsinki bus station
- (2 = check timetable since the 1st of January 2012
- (4 = no service 24.12.2011
- (5 = change of buses at Helsinki bus station
- (6 = change of buses at Hämeenlinna bus station
- (7 = change of buses at Tampere bus station Mon-Fri
- (9 = from Nokia Mon-Fri, no connection 6.12. and 26.12.2011
- (11 = timetable as 5:45Sun from Helsinki airport 5.11., 6.12. and 26.12.2011
- (13 = Thu-Sun change of buses at Hämeenlinna bus station for passengers to Valkeakoski, no connection 24.12.2011
- (14 = no service 5.11., 6.11., 6.12. and 26.12.2011
- (15 = in Hämeenlinna stops only at Eureninkatu bus stop 8:20
- (16 = connection from Toijala MT and Lempäälä MT on Mon-Fri, change of buses at Hämeenlinna bus station. No connection 6.12. and 26.12.2011
- (17 = route in Riihimäki: via bus stops in Riihimäki city center (Mattila, Sako and hospital bus stops) but doesn't stop at the Riihimäki travel center
- (19 = 6.12. and 26.12.2011 timetable as 5:00Sat,Sun from Tampere
- (20 = no service 5.11., 6.12. and 24.12.2011
- (21 = timetable as 5:45Sun from Helsinki airport 6.12. and 26.12.2011
- (23 = no service 6.12. and 26.12.2011
- (24 = no service 5.11. and 24.12.2011

FARES <small>All rights reserved</small>	ADULTS		CHILDREN 4-11 yrs	
	one way	return	one way	return
to/from airport				
TAMPERE / NOKIA	25,30	45,60	12,70	25,40
VALKEAKOSKI	24,80	44,70	12,40	24,80
HÄMEENLINNA	15,90	31,50	8,00	16,00
RIIHIMÄKI	12,50	25,00	6,30	12,60

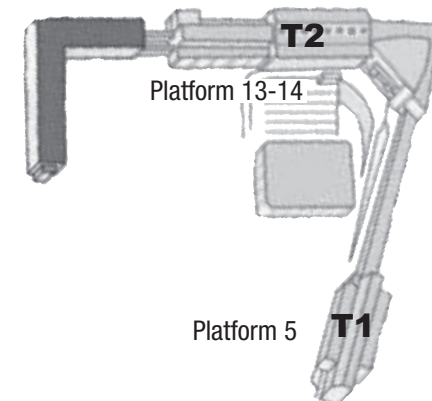
Discount price for senior citizens (65+) and youth (12-16 yrs).  
Major credit cards (Visa, Eurocard, Mastercard, Amex and Diners) are also accepted.



# PAUNU

Pre-booking possibility for following departures:  
from Tampere 1:00, 1:45, 3:10, 4:20 and 5:00 Sat,Sun  
from airport 1:30, 3:45 and 5:45  
Phone +358 207 649 400 (Mon-Fri 8:30–16:00)  
E-mail [matkapalvelu@paunu.fi](mailto:matkapalvelu@paunu.fi)

## HELSINKI AIRPORT



### T2

- check in 240-271**  
Air Berlin  
Aeroflot Russian Airlines  
Air Finland  
British Airways  
Czech Airlines CSA  
Finnair  
Icelandair  
KLM  
Malev  
Norwegian  
Nouvelair Tunis  
Rossiya Airline  
SunExpress  
Thomas Cook Airlines  
Tulfly Nordic  
Turkish Airlines  
Ukraine International Airlines

### T2

- check in 201-232**  
Aeroflot Russian Airlines  
British Airways  
Finnair  
Finncomm Airlines  
Flybe

### T1

- check in 101-114**  
Air Baltic  
Austrian Airlines  
Blue1  
Brussels Airlines  
City Airlines  
LOT  
Lufthansa  
SAS  
Spanair  
Swiss International Air Lines  
TAP Portugal

## Bus timetable for the Christmas Day 25.12.2011

### TAMPERE - HELSINKI

TAMPERE bus st.	1.45	3.10	4.20	5.45	7.50	9.00	11.00	12.50	15.00	16.00	17.05	18.30	20.00
VALKEAKOSKI bus st.	2.15	3.40	4.50	6.15	8.20	9.30	11.30	13.20	15.30	16.35	17.35	19.05	20.30
HÄMEENLINNA bus st.	2.50	4.15	5.30	6.55	9.05	10.15	12.15	14.00	16.15	17.15	18.20	19.50	21.10
RIIHIMÄKI travel center						10.40		14.25		17.40		20.20	
RIIHIMÄKI MT	3.12	4.37	5.52	7.15	9.25		12.35		16.35		18.40		21.30
HELSINKI AIRPORT T1	x	x	x	x	x	x	x	x	x	x	x	x	x
HELSINKI AIRPORT T2	4.05	5.30	6.40	(8.10)	(10.15)	(11.35)	(13.35)	(15.25)	(17.30)	(18.35)	(19.35)	21.15	22.15
HELSINKI bus station		6.00	7.05	8.20	10.20	11.45	13.45	15.30	17.35	18.45	19.40	21.20	22.40
LÄNSITERMINAL				8.30		11..55		15.40					
OLYMPIATERMINAL ↓								15.55					

### HELSINKI - TAMPERE

LÄNSITERMINAL							13.50		17.10		20.30		26.12.	26.12.
OLYMPIATERMINAL								14.50						
HELSINKI bus station	1.00	3.15		7.10	10.15	12.10	14.10	15.15	17.30	18.45	20.45	22.45	1.00	3.15
HELSINKI AIRPORT T1	1.20	3.40	5.40	7.35	(10.22)	(12.17)	(14.17)	(15.22)	(17.37)	(18.52)	21.05	23.05	1.20	3.35
HELSINKI AIRPORT T2	1.30+	3.45+	5.45+	7.40	(10.20)	(12.15)	(14.15)	(15.20)	(17.35)	(18.50)	21.10	23.10	1.30+	3.45+
RIIHIMÄKI MT	2.05	4.22+	6.20+					16.00		19.30	21.40	23.40	2.05	4.22
RIIHIMÄKI travel center				8.15	11.10	13.10	15.10		18.25					
HÄMEENLINNA bus st.	2.35	4.55+	6.55+	8.45	11.45	13.40	15.45	16.40	19.00	20.05	22.25	0.15	2.35	4.55
VALKEAKOSKI bus st.	3.15	5.35+	7.30+	9.25	12.25	14.20	16.25	17.20		20.45	23.00	0.50	3.15	5.35
TAMPERE bus station ↓	3.45	6.05+	8.05	10.00	12.55	14.55	17.00	17.50	20.00	21.20	23.30	1.25	3.45	6.05

Mon= Mondays    Tue = Tuesdays    Wed = Wednesdays    Thu = Thursdays

Fri = Fridays    Sat = Saturdays    Sun = Sundays

| = bus passes without stopping

— = shuttle bus to airport (change of buses)

( ) = shuttle bus to/from airport (change of buses at Keimolanportti bus stop)

T = stops only to discharge passengers

MT = motorway bus stop

x = bus goes via bus stop (without a specified time)