

TAMPERE - HELSINKI AIRPORT 4.6. - 12.8.2018

	Mon-Sun	Mon-Sun	Mon-Sun	Mon-Sun	Mon-Fri	Sat, Sun	Mon-Sat	Mon-Sun	Mon-Sun	Mon-Sun	Mon-Sun	Mon-Sun	Mon-Sun	Mon-Sun	Mon-Sun	***	Mon-Sun	Mon-Sun	Mon-Sun	Mon-Sun	Mon-Sun	(8)	Mon-Sun	(8)	(3 (8)	(8)	(8)	Mon-Sun	(8)	(8)	(2)
TAMPERE , bus station platform 5	1.20	2.20	3.20	4.20	5.00	5.00	5.35	6.30	7.30	7.50	9.00	9.30	10.00	11.00	11.30	12.00	12.15	12.45	13.15	14.00	14.30	15.00	15.30	16.00	16.35	16.35(14)	17.20	18.00	18.30	20.00	
VALKEAKOSKI, bus station platform 1	1.50	2.50	3.50	4.50	5.30	5.30	6.05	7.00		8.20	9.30		10.30	11.30		12.30		13.15		14.30		15.30		16.35	16.35	17.00	17.35	18.15		19.00	20.30
LEMPÄÄLÄ MT34										7.45			9.45			11.45		12.30		13.30		14.45		15.45		16.35	17.00	17.35	18.15		
TOIJALA MT31										7.55			9.55			11.55		12.40		13.40		14.55		15.55		16.45	17.10	17.45	18.25		
IITTALA MT28	2.05	3.05	4.05	5.05	5.45	5.45	6.20	7.15	8.05	8.35	9.45	10.05	10.45	11.45	12.05	12.45	12.50	13.30	13.50	14.45	15.05	15.45	16.05	16.50	16.55	17.20	17.55	18.35	19.15	20.45	
HÄMEENLINNA , bus station platform 3	2.25	3.25	4.25	5.25	6.10	6.10	6.50	7.45	x(15)	9.05	10.15	10.25	11.15	12.15	12.25	13.15	13.15	14.00	14.15	15.15	15.30	16.15	16.30	17.20	17.20	17.45	18.20	19.00	19.45	21.10	
TERVAKOSKI MT21	2.40	3.40	4.40	5.40	6.25	6.25	7.05	8.00	8.35	9.20	10.30	10.40	11.30	12.30	12.40	13.30	13.30	14.15	14.30	15.30	15.45	16.30	16.45	17.35	17.35	18.00	18.35	19.15	20.00	21.25	
RIIHIMÄKI MT19	2.47	3.47	4.47	5.47	6.30	6.30	7.10	8.05	8.42	9.25	10.37	10.47	11.35	12.37	12.45	13.37	13.37	14.22	14.37	15.37	15.52	16.37	16.52	17.40	17.40	18.07	18.40	19.20	20.07	21.30	
HYVINKÄÄ MT16	2.55	3.55	4.55	5.55	6.40	6.40	7.20	8.15	8.50	9.35	10.45	10.53	11.45	12.45	12.55	13.45	13.45	14.30	14.45	15.45	15.58	16.45	16.58	17.50	17.50	18.15	18.50	19.30	20.15	21.40	
KEIMOLANPORTTI	3.15	4.15	5.15	6.15	7.00	7.00	7.45	8.35	9.10	10.00	11.10	11.15	12.10	13.05	13.15	14.10	14.10	14.50	15.05	16.10	16.20	17.10	17.20	18.10	18.10	18.35	19.15	19.55	20.40	21.55T	
KEHÄ III TUUPAKKA	3.18	4.18	5.18	6.18	7.05	7.05	7.50	8.40	9.15	10.10	11.20	11.20	12.15	13.20	13.20	14.15	14.15	15.15	15.15	16.30	16.30	17.25	17.25	18.20	18.20	18.40	19.20	20.05	20.45		
RANTASIPI AIRPORT TH	3.25	4.25	5.25	6.25	7.10	7.10	7.55	8.45	9.20	10.15	11.25	11.25	12.20	13.25	13.25	14.20	14.20	15.20	15.20	16.35	16.35	17.30	17.30	18.25	18.25	18.45	19.25	20.10	20.50		
HELSINKI AIRPORT	3.35	4.35	5.35	6.35	7.20	7.20	8.00	9.00	9.30	10.20	11.35	11.35	12.30	13.35	13.35	14.30	14.30	15.30	15.30	16.45	16.45	17.40	17.40	18.35	18.35	18.55	19.35	20.15	21.00	23.10	

	Mon-Sun (7)	Mon-Sun	Mon-Sun	Mon-Fri (19)	Sat (9)	Sun	Mon-Fri (10/19)	Mon-Sun	Mon-Sat	Mon-Sun	Mon-Sun	Mon-Sun	Mon-Sun	Mon-Sun	Mon-Sun (3)	Mon-Sun	Fri, Sat, Sun (8)	Mon-Sun	Mon-Sun	Mon-Sun (8)	Mon-Sun	Mon-Sun (8)	Mon-Sun	Fri, Sat (8)	Mon-Sun	Mon-Sun (7)
HELSINKI AIRPORT T2	0.15	1.30	3.30	5.25	5.35	5.45	6.35	8.10	9.20	10.20	11.20	12.20	13.20	14.20	15.20	16.30	16.30	17.35	18.05	18.50	19.50	21.10	22.10	22.40	23.10	0.15
HELSINKI AIRPORT T1	0.05	1.20	3.20	5.15	5.25	5.35	6.30	8.11	9.21	10.21	11.21	12.21	13.21	14.21	15.21	16.31	16.31	17.36	18.06	18.51	19.51	21.03	22.03	22.35	23.03	0.05
RANTASIPI AIRPORT TH	0.17	1.32	3.32	5.27		5.47		8.12	9.23	10.23	11.23	12.23	13.23	14.23	15.23	16.33	16.33	17.38	18.08	18.53	19.53	21.12	22.12	22.42	23.12	0.17
KEHÄ III TUUPAKKA	0.23	1.38	3.38	5.33		5.53		8.20	9.30	10.30	11.30	12.30	13.30	14.30	15.30	16.40	16.40	17.45	18.15	19.00	20.00	21.18	22.18	22.48	23.18	0.23
KEIMOLANPORTTI	0.25	1.40	3.40	5.35	6.35	5.55	7.35	8.25	9.40	10.35	11.40	12.35	13.35	14.35	15.40	16.50	16.50	17.55	18.20	19.05	20.05	21.20	22.20	22.50	23.20	0.25
HYVINKÄÄ MT16	0.40	2.00	4.00	5.55	6.55	6.15	7.55	8.45	9.55	10.55	11.55	12.55	13.55	14.55	15.55	17.05	17.05	18.10	18.40	19.25	20.25	21.35	22.35	23.05	23.35	0.40
RIIHIMÄKI MT19	0.45	2.05	4.07	6.02	7.00	6.20	8.00	8.50	10.00	11.00	12.00	13.00	14.00	15.00	16.00	17.10	17.10	18.15	18.45	19.30	20.30	21.40	22.40	23.10	23.40	0.45
TERVAKOSKI MT21	0.55	2.15	4.13	6.08	7.10	6.30	8.10	9.00	10.10	11.10	12.10	13.10	14.10	15.10	16.10	17.25	17.25	18.25	19.00	19.45	20.45	21.55	22.50	23.20	23.50	0.55
HÄMEENLINNA , bus station platform 5	1.20	2.35	4.40	6.40	7.35	6.55	8.35	9.25	10.35	11.35	12.35	13.35	14.35	15.35	16.45	17.50	17.50	18.50	19.20	20.05	21.05	22.25	23.20	23.50	00.20	1.20
IITTALA MT28	1.35	2.50	4.55	6.55	7.50	7.10	8.50	9.40	10.50	11.50	12.50	13.50	14.50	15.50	17.00	18.05	18.05	19.05	19.35	20.20	21.20	22.40	23.35	00.05	00.35	1.35
TOIJALA MT31				7.06				9.51								18.16		19.16		20.31				00.09		
LEMPÄÄLÄ MT34				7.14				9.59								18.24		19.24		20.39				00.16		
VALKEAKOSKI, bus station platform 3	1.55	3.10	5.15		8.15	7.30	9.15		11.15	12.15	13.15	14.15	15.15	16.15	17.25	18.30(13)	18.30		20.00		21.50	23.00	23.55		00.55	1.55
TAMPERE , bus station	2.25	3.45	5.50	7.40	8.50	8.00	9.50	10.30	11.50	12.50	13.50	14.50	15.55	16.55	18.05	18.50	19.10	19.50	20.40	21.00	22.25	23.30	00.30	00.45	01.30	2.30
TAMPERE, central square			T	T																						

EXPLANATIONS

- Mon= Mondays Tue = Tuesdays Wed = Wednesdays Thu = Thursdays
- Fri = Fridays Sat = Saturdays Sun = Sundays
- | = bus passes without stopping
- = shuttle bus to airport (change of buses)
- () = shuttle bus to/from airport (change of buses at Keimolanportti bus stop)
- T = stops only to discharge passengers on request
- MT = motorway bus stop
- th = road junction
- (1) = service also 22.6.2018
- (2) = Helsingin kautta, vaihto Kampissa klo 22:45 lentoasemalle lähtevään vuoroon
- (3) = on Fridays on request via Parola military base and then arrival time at Tampere 10 min later
- (5) = change of buses at Helsinki bus station
- (7) = no service at the night between 22.6. - 23.6.
- (8) = no service 22.6.2018
- (9) = via Helsinki, change of buses at Helsinki bus station 06:15 to Tampere
- (10) = via Helsinki, no service 22.6.2018
- (12) = on sundays not via Parola MT bus stop
- (13) = to Valkeakoski/from Valkeakoski change of buses at Hämeenlinna bus station Mon-Thu
- (14) = change of buses at Hämeenlinna bus station Mon-Thu
- (15) = in Hämeenlinna stops only at Eureninkatu bus stop 8:20
- (16) = to Valkeakoski/from Valkeakoski change of buses at Hämeenlinna bus station.
- (19) = 22.6.2018 timetable from airport as 5:35Sat
- (21) = 22.6.2018 timetable from Tampere as 5:00Sat,Sun

Alterations in the timetable may occur on public holidays.
 Timetable for 23.6.2018 on the next page.

FARES <small>All rights reserved</small>	ADULTS		CHILDREN 4-11 yrs	
	one way	return	one way	return
to/from airport				
TAMPERE / NOKIA	27,00	48,50	13,50	27,00
VALKEAKOSKI	26,50	47,70	13,30	26,50
HÄMEENLINNA	17,00	33,90	8,50	17,00
RIIHIMÄKI	13,40	26,80	6,70	13,40

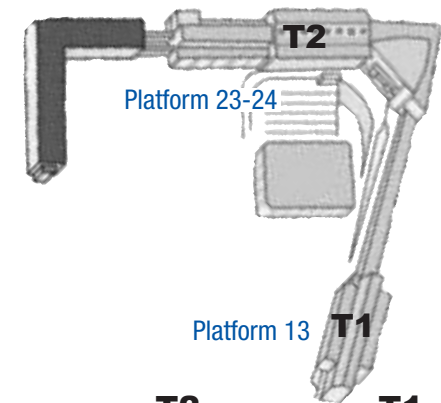
Discount price for senior citizens (65+) and youth (12-16 years).
 Major credit cards (Visa, Eurocard, Mastercard, Amex and Diners) are also accepted.



PAUNU

Phone +358 207 649 400 (Mon-Fri 8:30–16:00)
 E-mail: matkapalvelu@paunu.fi

HELSINKI AIRPORT



- T2**
 check in 240-271
 Air Berlin
 Icelandair
 Japan Airlines
 KLM
 Norwegian
 Nouvelair Tunis
 Aeroflot Russian Airlines
 SunExpress
 Thomas Cook Airlines
 TUIfly Nordic
 Turkish Airlines
 Ukraine International Airlines

- T2**
 Check in 201-232
 British Airways
 Finnair
 Norra

- T1**
 check in 101-114
 airBaltic
 Austrian Airlines
 Brussels Airlines
 Lufthansa
 SAS
 Swiss International Air Lines
 TAP Portugal

BUS TIMETABLE 23.6.2018 MIDSUMMER DAY

		Y	Y	Y												Y	(2
TAMPERE	1.20	3.20	4.20	5.00	6.30	7.50	9.00	10.00	11.00	12.00	13.15	14.00	15.00	16.00	17.20	18.30	20.00
VALKEAKOSKI	1.50	3.50	4.50	5.30	7.00	8.20	9.30	10.30	11.30	12.30		14.30	15.30	16.35		19.00	20.30
HÄMEENLINNA	2.25	4.25	5.25	6.10	7.45	9.05	10.15	11.15	12.15	13.15	14.15	15.15	16.15	17.20	18.20	19.45	21.10
RIIHIMÄKI MT	2.47	4.47	5.47	6.30	8.05	9.25	10.37	11.35	12.37	13.37	14.37	15.37	16.37	17.40	18.40	20.07	21.30
Helsinki airport ✈️ T2	3.35	5.35	6.35	7.20	(9.00)	(10.20)	(11.30)	(12.30)	(13.35)	(14.30)	(15.30)	(16.45)	(17.40)	(18.35)	(19.35)	20.55	(23.10)
HELSINKI		6.05	7.05	7.45	9.15	10.25	11.40	12.40	13.35	14.35	15.35	16.40	17.40	18.40	19.45	21.30	22.25
LÄNSIT. T1 🚢											16.20	17.20					
LÄNSIT. T2 🚢		6.20		8.00	9.30		12.20		13.55	14.55(17			18.00(11				
OLYMPIATERM. 🚢											15.50						
KATAJANOKKA 🚢						10.45	12.00				16.00	17.00			20.00		

	Y	Y													Y	Y	Y 24.6.	
KATAJANOKKA 🚢					9.50	10.55	12.40					17.35			21.05	22.25		
OLYMPIATERM. 🚢						10.40												
LÄNSIT. T2 🚢							12.55		14.55	16.00				19.25	21.25	22.05		
LÄNSIT. T1 🚢											17.05							
HELSINKI	1.00	3.00			8.05	10.15	11.15	13.15	14.15	15.15	16.25	17.30	18.00	18.45	19.45	21.45	22.45	1.00
Helsinki airport ✈️ T2	1.30	3.30	5.45	(8.10)	(10.20)	(11.15)	(13.20)	(14.20)	(15.20)	(16.30)	(17.35)	(18.05)	(18.50)	(19.50)	22.10	23.10	1.30	
RIIHIMÄKI MT	2.05	4.07	6.20	8.50	11.00	12.00	14.00	15.00	16.00	17.10	18.15	18.45	19.30	20.30	22.40	23.40	2.05	
HÄMEENLINNA	2.35	4.40	6.55	9.25	11.35	12.35	14.35	15.35	16.45	17.50	18.50	19.20	20.05	21.05	23.20	00.20	2.35	
VALKEAKOSKI	3.10	5.15	7.30		12.15	13.15	15.15	16.15	17.25	18.30		20.00	20.45	21.50	23.55	00.55	3.10	
TAMPERE	3.45	5.50	8.00	10.30	12.50	13.50	15.55	16.55	18.05	19.10	19.50	20.40	21.15	22.25	0.30	01.30	3.45	

EXPLANATIONS

- Y = via airport, Helsinki city center – Helsinki airport route Mannerheimintie - Kehä 1 - Tuusulantie
- | = bus passes without stopping
- (2 = via Helsinki (change of buses at helsinki bus station)
- () = shuttle bus to/from airport (change of buses at Keimolanportti bus stop)
- (11 = service is ment to be connection to Tallink ship leaving at 19:30
- (17 = service is ment to be connection to Tallink ship leaving at 16:30

PAUNU

Kuoppamäentie 14, 33800 TAMPERE

www.paunu.fi

Aikataulut ma-pe 8.30-16.00 puh. 020 764 9400